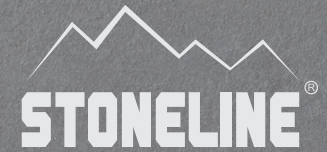


NON-FAT GRIDDLE PAN

with the original STONELINE® coating



Scratch-resistant STONELINE® non-stick coating

Fantastic flavour
Prepare dishes without fat or oil
No burning or sticking
Simple to clean thanks to the easy-clean effect

Suitable for all hobs

Heat-resistant up to 260 °C

Perfect frying results

Crispy meat
Vegetables stay crunchy and juicy

Dimensions:

Ø 28 cm | H: approx. 4.6 cm
Induction base approx. 20.6 cm

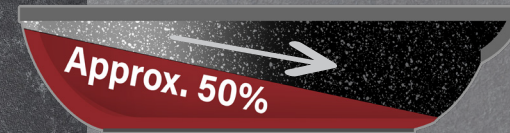
Material: die-cast aluminium

The original
Coating with
particles of stone



The first pan with
downhill grade

Even less fat!



With spout-function

For clean pouring off
roasting juice or fat



Item no. 8108

Multifunctional cookware sets

COOKWARE AND BAKING SET

ROASTER AND BAKING SET

5 PIECES

ALL OPTIONS

SERVING PAN | GRILL PAN

Roasting | Grilling

GLASS LID

Glass cutting board, Serving plate, trivet for the cookware

SILICONE BAKING MAT

Baking, trivet

STEAM INSERT / BAKING PAN

Steaming, Baking

COOKING POT | ROASTER

Cooking, Stew | Roasting, Stew



Item no. 21602



Item no. 21620

Climate neutral

BEYOND[®] STAINLESS STEEL COOKING POT

BEYOND[®]
THE ONE FOR ALL

with 360° flip strainer insert & aroma glass lid



The unique aroma knob is ideal for adding measured quantities of liquids such as wine or liquid seasoning



Baking



Frying



Cooking



Steaming

EDELSTAHL[®]
Rost frei
Rust-free stainless steel
Mirror polished
INOX
STAINLESS STEEL

Suitable for all hobs
Heat-resistant up to 220 °C with lid



Flip design: Easy pouring
Just tip the pot up,
pour the liquid off,
and the food will stay in the strainer

Removable strainer insert
No additional sieve required

Our product video



Cooking pot: Ø 24 cm (induction base approx. 21.5 cm), approx. height 15 cm
Sieve insert, approx. 21.5 x 11.2 cm
Item no. 21609



Climate neutral

Product
ClimatePartner.com/13063-1812-1001



Chiara-Ambra-Platz 1
77743 Neuried/GERMANY
www.stoneline.de

PAN SET WITH MAGNETIC HANDLE

with the original STONELINE® Coating

STONELINE®

MADE IN GERMANY



Scratch-resistant STONELINE® non-stick coating

Fantastic flavour
Prepare dishes without fat or oil
No burning or sticking
Simple to clean thanks to the easy-clean effect

Ergonomic handle with magnetic holder
for a clean worktop

Magnetic spatula
always at hand

Pan protector
for easy storage

Suitable for all hobs

Heat-resistant up to 150°C

High-quality aluminium

retains heat for longer



Magnetic handle
No more splashes on the worktop



Set contains:

Frying pan, Ø 24/28 cm, height: approx. 4.6/5.1 cm
1 spatula in red or grey, 1 fleece pan protector 38 cm

Item no. 21190



Also available as wok Ø 30 cm
with magnetic handle & spatula

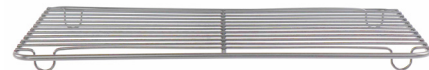
CLIMATE-NEUTRAL OVEN SET

Item no. 21004
EAN: 4020728210044

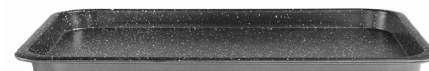
7-PIECE



Dimensions:



approx. 35.5 x 22.8 x 1.8 cm



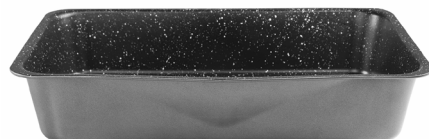
approx. 40.5 x 27 x 2.5 cm



approx. 24.5 x 22.5 x 3 cm
approx. 24.5 x 15,2 x 2 cm



approx. 24.5 x 22.5 x 6 cm
approx. 24.5 x 15.2 x 6 cm



approx. 40.5 x 28.5 x 8 cm

Box-shaped for space-saving storage

VERSATILE - make cupcakes, cheesecakes, pizza, breads, casseroles, biscuits, and much more.

- Stackable to save even more space
- Versatile, for gratins and sweet or savoury casseroles, as well as for baking
- Anti-stick coating - no need for baking paper or grease
- Easy to clean, no stubborn stuck-on food
- Climate-neutral product - support a climate and environmentally friendly project with your purchase: Our manufacturing of the oven set supports the climate protection project "Forest protection in Brazil".
- Resource-efficient production
- Environmentally-friendly coating

SPACE-SAVING storage.



STONELINE
GERMANY

Chiara-Ambra-Platz 1
77743 Neuried/GERMANY
www.stoneline.de

STONELINE®

Multi square pan with steam and frying function

Possible combinations



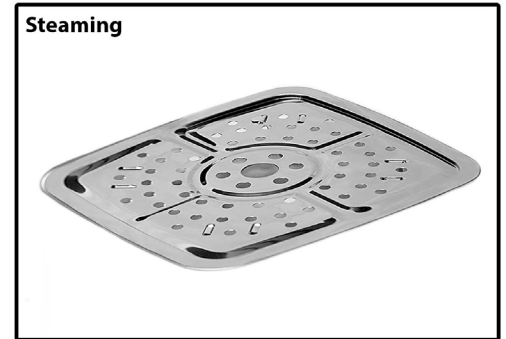
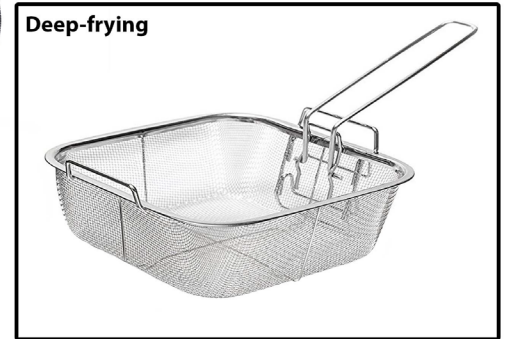
4,5 cm

8,5 cm

28 cm



Additional functions



Item no. 20337

www.stoneline.de



Baking cakes



Frying



Baking bread



Steaming



Gratinating



Deep-frying



Grilling



Preparing popcorn



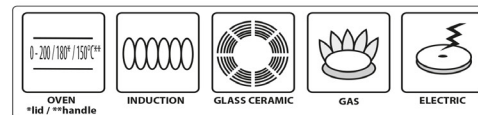
STONELINE®

Multi baking and steaming pan combination

- The spring form is fitted quickly and easily
- Within seconds, you can use the pan as a baking pan, a steamer, a fryer and much more
- Steam insert for gentle steaming
- Can also be used as a mat
- Glass lid with whisper silicone rim
- Highly versatile, fits 3 different pot sizes Ø 24 + 26 + 28 cm.
- Glass lid with whisper silicone rim
- Highly versatile, fits 3 different pot sizes Ø 24 + 26 + 28 cm
- Space-saving, removable pan handle
- Healthy and non-fat frying, like on a natural hot stone
- Extreme hard and tough scratch-proof coating
- Suitable for all cookers, even induction cookers
- Non-stick, no scorching
- Easy to clean, inside and outside

Set includes:

- 1 Frying Pan with removable handle Ø 24 cm, Height approx. 5,7 cm, ~ 2,0 l
Material: Aluminum, thickness approx. 3 mm
- 1 Spring form Ø 24 cm, Height approx. 6,7 cm
Material: Carbon steel
- 1 Glass lid Ø 24 + 26 + 28 cm
Material: Glass, silicone
- 1 Silicon steam insert approx. 29 x 21,5 cm, Height approx. 4 cm
- 1 Cooking tong approx. 26 cm



Item no.: 19788
Packed in Colourbox with carrying handle



Extra high half-and-half pan

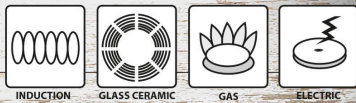
with removable partition wall to divide into two cooking zones and lid with pouring function

We've all been there.
You want to cook something but all of the stoves are already in use.
Or you just want to cook something small and don't want to use two large pans.
Save space, time and washing up!
With these two-zone pans you can cook two dishes at the same time and even prepare two different sauces.
Convert your 1-zone pan quickly and easily into a 2-zone pan using the removable divider.
The cooking zone divider is strengthened with a silicone seal so even sauces remain separate from each other.
This pan is characterised by simple handling and the varied usage options.
The cooking zone divider can be easily inserted and removed with just one hand movement.

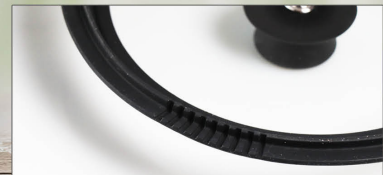
- Healthy and non-fat frying like on a natural hot stone.
- Extreme hard and tough scratch-proof coating
- Perfect results and crispy meat
- No burning and no sticking
- Super easy to clean

Beneficial for vegetarians:

The separate cooking zones prevent the mixing of food, fat, aromas or herbs.



- Suitable for all cookers, even induction cookers
- Extra strong, non-distorting base
- Base thickness 5.5 mm
- This product is oven-proof up to 180 °C
- Material: die-cast aluminium



Extra high half-and-half pan

with removable partition wall to divide into two cooking zones and lid with pouring function



The original
Coating with
particles of stone
★ ★ ★ ★ ★

TEST Bild
TOP
KITCHEN
BRAND
 ISSUE 2/2017
 Consumer survey
 36 brands selectable
No. 1
 FUNCTIONALITY & USE
 CATEGORY
 FRYING PANS

WX 20689



6 cm
extra high

Steam & energy-saving pot due to low pressure function

Dampf- & Energiespartopf dank Niederdruck-Funktion



Simple and intuitive handling:

Lid lock closes and opens when turning it.



Up to **70 % energy** and up to **50 % time** saving unlike traditional pots.

Healthy nutrition:

Valuable vitamins & nutrients are saved.

Immediate opening during cooking possible; allows spontaneous seasoning.

Functional **full-view cooking** due to the glass insert.

High-grade quality: The approved and scratch-resistant **STONELINE® non-stickcoating** with real particles of stone offers healthy cooking without the use of fat or oil. Your food will not stick, making the cleaning child's play – just rinse the pot out.

Solid **cast aluminium**.

Handles with **non-slip silicone protectors** prevent burns.

Ovenproof due to silicone protectors can be removed.

Especially **robust, resistant and durable**.

Thanks to the **easy-clean system** the pot does not need to be washed in the dishwasher.

Extra **strong bottom that will not bend**.

Suitable for all cookers, even induction cookers.

Einfache und intuitive Handhabung:



Der Deckelverschluss öffnet und schließt sich durch Drehen.

Bis zu **70 % Energie-** und bis zu **50 % Zeitersparnis** zu herkömmlichen Töpfen.

Gesunde Ernährung:

Wertvolle Vitamine & Nährstoffe bleiben erhalten.

Sofortiges Öffnen während des Kochvorgangs möglich, jederzeit abschmecken und nachwürzen.

Praktisches **Sichtkochen** durch Glaseinsatz.

Hochwertige Qualität: Gesund ohne Fett und Öl kochen durch die bewährte und kratzfeste **STONELINE® Antihaf-Beschichtung** mit echten Steinpartikeln.

Die Speisen kleben nicht an.

Selbst das Reinigen wird zum Kinderspiel – einfach Topf ausspülen.

Aus massivem **Aluminiumguss**.

Griffe mit **rutschfestem Silikonenschutz** zum Vorbeugen gegen Verbrennungen.

Backofengeeignet, da Silikonenschutz abnehmbar.

Besonders **robust, widerstandsfähig und langlebig**.

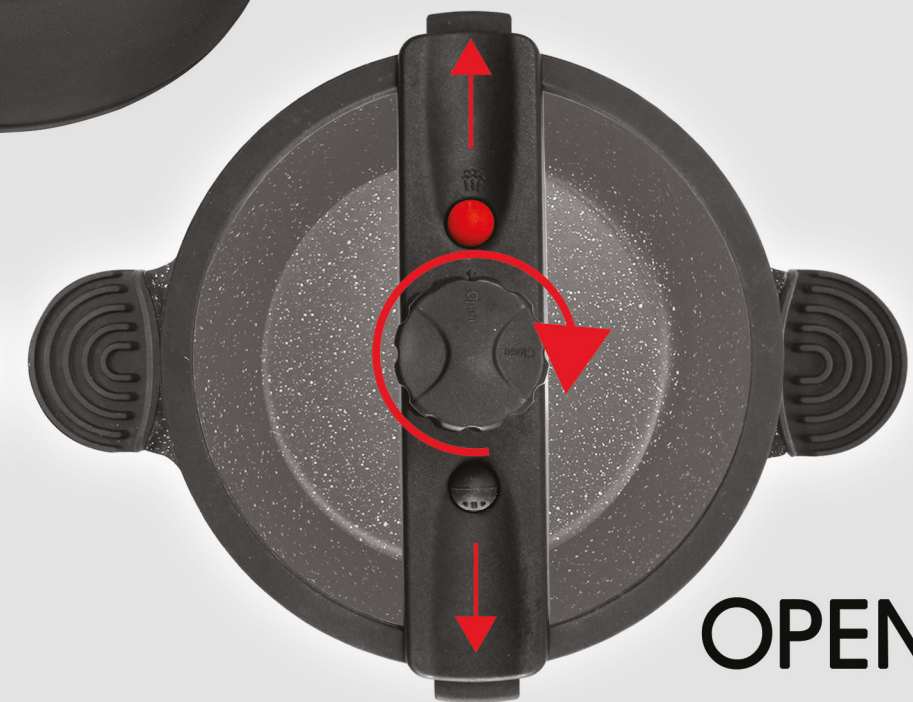
Dank **Easy-Clean-System** muss der Topf nicht mehr in die Spülmaschine.

Extra **starker, verziehfreier Boden**.

Für ALLE Herdarten geeignet, auch Induktion.



CLOSE



OPEN

Climate-neutral, award-winning FLEXI-BASKET

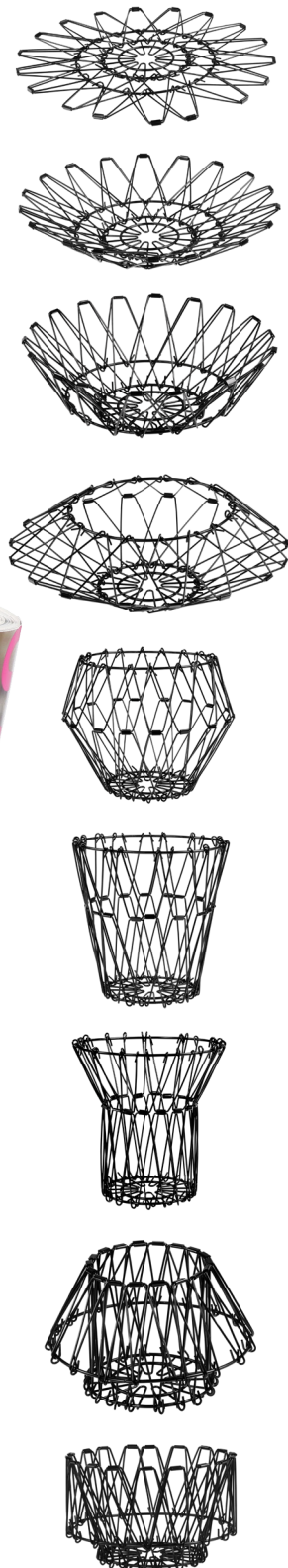
ONE BASKET DOES IT ALL!

Contemporary decorative wire folding basket in black metal.

- **Many different uses:** can be used as a fruit basket, bowl or other stylish interior design accent
- **Carefully & uniquely handcrafted**
- **Food safe,** tested for contaminants
- **Can be folded into many shapes**
- **Space-saving** when stored
- Quick and easy to **fold up**
- Made from **durable iron**



Produktvideo



Item no. 20335

Dimension: Diameter when flat approx. 31 cm

 **Klimaneutral**
Produkt
ClimatePartner.com/13063-1812-1001

